



SUBMITTAL SHEET

Project:
CATTARAUGUS-LITTLE
VALLEY
JR/SR HIGH SCHOOL

To:

From:
Buffalo Hotel Supply Co., Inc.
John Cannata
375 Commerce Dr
Amherst, NY 14228-2304
Phone: (716) 691-8080 x3052
Toll Free: (800) 333-1678
Fax: (716) 691-7449

ITEM# 79 - MILK COOLER

True Food Service Equipment, Inc Model TMC-49-SS (2 REQ'D)

Mobile Milk Cooler, FORCED-AIR, (12) crates, s/s drop front/hold-open flip-up
lids, lock, 33-38°F, white vinyl exterior, 300 series s/s interior & floor, (3) heavy
duty floor racks, digital thermometer, 4" castors, 1/3Hp, ~~115v/60/11~~

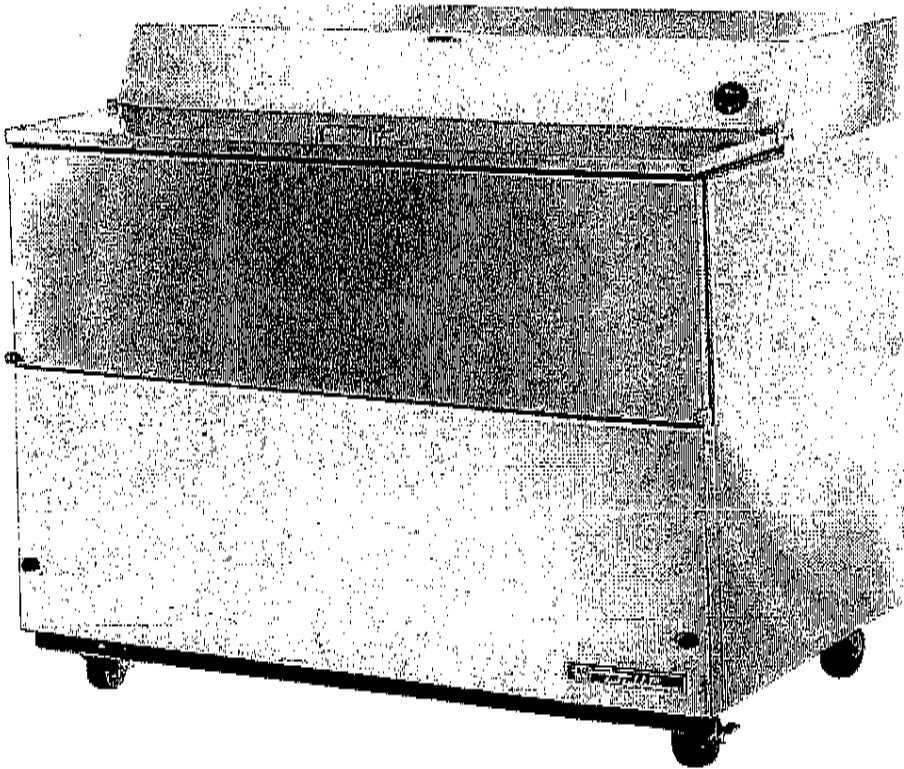
ACCESSORIES:

MFR	Qty	Model	Spec
TRUE	2		Self-contained refrigeration std.
TRUE	2		Warranty - 5 year compressor (self-contained only)
TRUE	2		Warranty - 1 year parts and labor
TRUE	2	882506	Corner bumpers, set of 4
TRUE	2		4" Castors, std.

Value \$8,500 Ea.

\$17,000

 <p>TRUE FOOD SERVICE EQUIPMENT, INC. 2001 East Terra Lane • P.O. Box 970 • O'Fallon, Missouri 63366 (636)240-2400 • Fax (636)272-2408 • (800)325-6152 • Intl Fax# (001)636-272-7546 Parts Dept. (800)424-TRUE • Parts Dept. Fax# (636)272-9471 • www.truemfg.com</p>	Project Name: _____ Location: _____ Item #: _____ Qty: _____ Model #: _____	AIA # _____ SIS # _____
	Model: TMC-49-SS	Milk Coolers: White Vinyl and Stainless Steel Exterior/Stainless Steel Interior



TMC-49-SS

- True's commitment to using the highest quality materials and oversized refrigeration systems provides the user with colder product temperatures and lower utility costs in an attractive, durable school milk cooler.
- Oversized, forced-air refrigeration system maintains milk temperatures of 33°F to 38°F (5°C to 3.3°C). Colder holding temperatures provide better tasting milk, increased sales and less product waste.
- Exterior - non-peel or-chip white laminated vinyl front, sides, back and top; durable and permanent.
- All stainless steel self-service doors feature convenient drop front and "hold-open" flip-up top. Standard with door locks.
- Interior - 300 series stainless steel walls and reinforced floor.
- Standard with heavy duty floor-racks and convenient clean out drain.
- Designed to hold twelve 13" L x 13" D x 11 1/4" H (331 mm x 331 mm x 296 mm) milk crates.
- Entire cabinet structure is foamed-in-place using Econofoam. A new, innovative, high-density, polyurethane insulation that has zero ozone depletion potential (ODP) and zero global warming potential (GWP).

ROUGH-IN DATA

Specifications subject to change without notice. Chart dimensions rounded up to the nearest 1/4" (millimeters rounded up to next whole number).

Model	Doors	Capacity		Crate Dimensions (inches) (mm)			Floor Racks	Cabinet Dimensions (inches) (mm)			HP	Voltage	Amps	NEMA Cnfig.	Cord Length (total ft.) (total m)	Crated Weight (lbs.) (kg)
		(Cu. Ft.) (Liters)	Crates	L	D	H		L**	D†	H*						
TMC-49-SS	2	20.9 (592)	12	13 (331)	13 (331)	11 1/4 (296)	3	49 (1245)	33 3/4 (848)	41 1/2 (1055)	1/2	115/60/1 230-240/50/1	8.2 4.2	5-15P ▲	9 (2.74)	N/A N/A

** Length does not include 1/4" (4 mm) each side for lid pins.
 † Depth does not include 1" (25 mm) for front bumpers.
 * Height does not include 5/16" (131 mm) for castors.

▲ Plug type varies by country.

	APPROVALS:	AVAILABLE AT:
Printed in U.S.A.		

Model:
TMC-49-SS

Milk Coolers:
White Vinyl and Stainless Steel Exterior/Stainless Steel Interior



STANDARD FEATURES

DESIGN

- True's commitment to using the highest quality materials and oversized refrigeration systems provides the user with colder product temperatures, and lower utility costs in an attractive, durable school milk cooler.

REFRIGERATION SYSTEM

- Factory engineered, self-contained, capillary tube system using environmentally friendly (CFC free) R134A refrigerant.
- Extra large evaporator coil balanced with higher horsepower compressor and large condenser; maintains milk temperatures of 33°F to 38°F (5°C to 3.3°C). Colder holding temperatures provide better tasting milk, increased sales and less product waste.
- Sealed, cast iron, self-lubricating evaporator fan motor(s) and larger fan blades give True milk coolers a more efficient low velocity, high volume airflow design. This unique design ensures colder holding temperatures and faster recovery in high use situations.
- Condensing unit accessed from behind back grill, slides out for easy cleaning and maintenance.

CABINET CONSTRUCTION

- Exterior - non-peel or chip white vinyl front, sides, back and top; durable and permanent. Stainless steel service doors.
- Interior - 300 series stainless steel walls and reinforced floor. Standard with heavy duty floor racks.
- Insulation - entire cabinet structure is foamed-in-place using Ecomate, A new, innovative, high density, polyurethane insulation that has zero ozone depletion potential (ODP) and zero global warming potential (GWP).
- Welded, heavy duty steel frame rail, black powder coated for corrosion protection.

- Frame rail fitted with four (4) easy roll, 4" (102 mm) diameter swivel castors (front castors lock in place).
- Designed to hold twelve 13"L x 13"D x 11 1/4"H (331 mm x 331 mm x 296 mm) milk crates.

DOORS

- All stainless steel self-service doors feature convenient drop front and "hold-open" flip-up top. Door support bumpers standard.
- Door locks standard.
- Magnetic door gaskets of one piece construction, removable without tools for ease of cleaning.

MODEL FEATURES

- Exterior digital temperature display.
- Evaporator is epoxy coated to eliminate the potential of corrosion.
- Convenient clean out drain with 1/2" (13 mm) NPT-PVC drain plug.
- Listed under NSF-7 for the storage and/or display of packaged or bottled product.

ELECTRICAL

- Unit completely pre-wired at factory and ready for final connection to a 115/60/1 phase, 15 amp dedicated outlet. Cord and plug set included.

- ☐ See www.truemfg.com for school milk profit calculator.
- ☐ Remote cabinets (condensing unit supplied by others; system comes standard with 404A expansion valve and requires R104A refrigerant). Consult factory technical service department for BTU information. All remote units must be hard wired during installation.

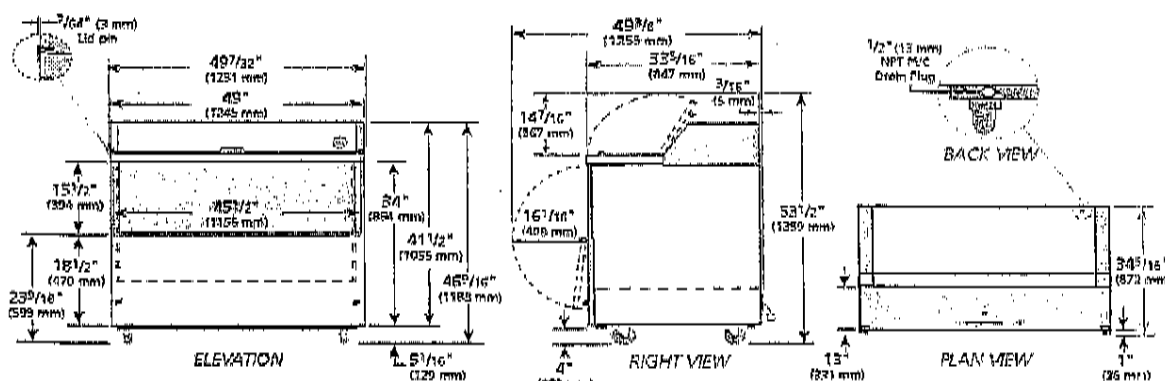


115/60/1
NEMA-5-15R

OPTIONAL FEATURES/ACCESSORIES

- Upcharge and lead times may apply.
- ☐ 230 - 240V / 50 Hz.
 - ☐ A variety of exterior color options available, see www.truemfg.com for latest offerings.
 - ☐ 6" (153 mm) standard legs (mounting plates required).
 - ☐ 6" (153 mm) seismic/flanged legs (mounting plates required).
 - ☐ Corner bumpers.

PLAN VIEW



WARRANTY
 One year warranty on all parts and labor and an additional 4 year warranty on compressor. (U.S.A. only)

METRIC DIMENSIONS ROUNDED UP TO THE NEAREST WHOLE MILLIMETER.
 SPECIFICATIONS SUBJECT TO CHANGE WITHOUT NOTICE

	Model	Elevation	Right	Plan	3D	Back
	TMC-49-SS	TRQ060E	TRQ060R	TRQ060P	TRQ060I	

TRUE FOOD SERVICE EQUIPMENT

2001 East Terra Lane • P.O. Box 970 • O'Fallon, Missouri 63366 • (636)240-2400 • Fax (636)272-2408 • (800)325-6152 • Intl. Fax# (001)636-272-7546 • www.truemfg.com